

HWI-T240H 4 MP Fixed Turret Network Camera



- High quality imaging with 4 MP resolution
- Efficient H.265+ compression technology to save bandwidth and storage
- Clear imaging against strong back light due to 120 dB true WDR technology
- Water and dust resistant (IP67)
- 3D DNR technology delivers clean and sharp images
- Easy installation with Power over Ethernet (PoE) technology



▪ Specification

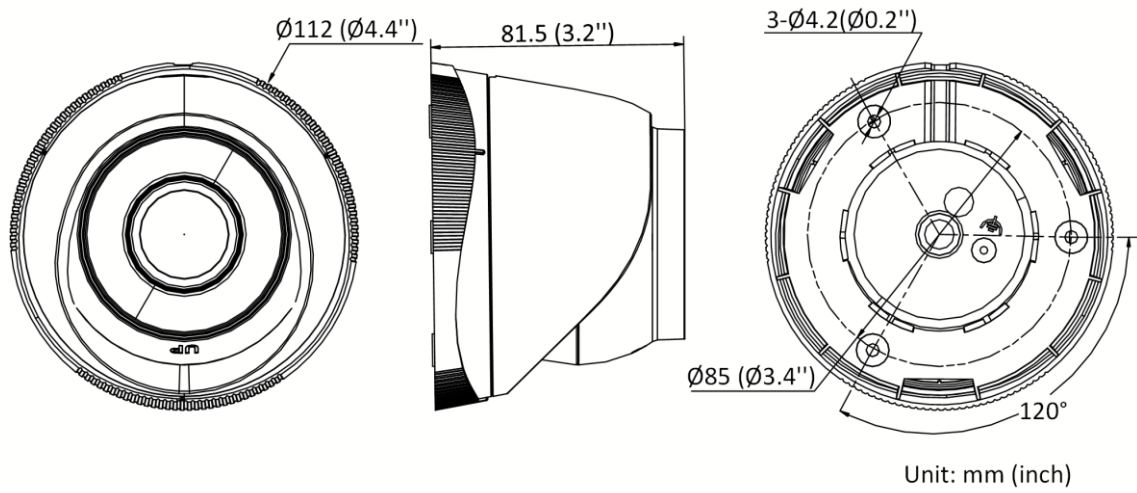
| Camera | |
|--------------------------|---|
| Image Sensor | 1/3" progressive scan CMOS |
| Min. Illumination | Color: 0.01 Lux @(F2.0, AGC ON), B/W: 0 Lux with IR |
| Shutter Speed | 1/3 s to 1/100,000 s |
| Slow Shutter | Yes |
| Wide Dynamic Range | 120 dB |
| Day & Night | IR cut filter |
| Angle Adjustment | Pan: 0° to 360°, tilt: 0° to 75°, rotate: 0° to 360° |
| Lens | |
| Focal Length & FOV | 2.8 mm, horizontal FOV 98.0°, vertical FOV 53.1°, diagonal FOV 114.7° 4 mm, horizontal FOV 78.7°, vertical FOV 43.1°, diagonal FOV 92.3° |
| Lens Mount | M12 |
| Focus | Fixed |
| Aperture | F2.0 |
| Illuminator | |
| IR Wavelength | 850 nm |
| IR Range | Up to 30 m |
| Video | |
| Max. Resolution | 2560 × 1440 |
| Main Stream | 50 Hz: 20 fps (2560 × 1440) 25 fps (1920 × 1080, 1280 × 720) 60 Hz: 20 fps (2560 × 1440) 30 fps (1920 × 1080, 1280 × 720) |
| Sub-Stream | 50 Hz: 25 fps (640 × 480, 640 × 360) 60 Hz: 30 fps (640 × 480, 640 × 360) |
| Video Compression | Main stream: H.265/H.264/H.265+/H.264+ Sub-stream: H.265/H.264/MJPEG |
| Video Bit Rate | 32 Kbps to 8 Mbps |
| H.264 Type | Baseline Profile/Main Profile/High Profile |
| H.265 Type | Main Profile |
| H.264+ | Main stream supports |
| H.265+ | Main stream supports |
| Region of Interest (ROI) | 1 fixed region for main stream |
| Network | |
| Protocols | TCP/IP, ICMP, HTTP, HTTPS, FTP, DHCP, DNS, DDNS, RTP, RTSP, RTCP, PPPoE, NTP, UPnP™, SMTP, SNMP, IGMP, 802.1X, QoS, IPv6, Bonjour, IPv4, UDP, SSL/TLS |
| Simultaneous Live View | Up to 6 channels |
| API | Open Network Video Interface, ISAPI |
| User/Host | Up to 32 users. 3 levels: administrator, operator and user |
| Client | iVMS-4200, Hik-Connect |
| Web Browser | Plug-in required live view: IE 10+ Plug-in free live view: Chrome 57.0+, Firefox 52.0+ Local service: Chrome 57.0+, Firefox 52.0+ |

| Image | |
|----------------------------------|---|
| Image Settings | Saturation, brightness, contrast, sharpness, AGC, white balance adjustable by client software or web browser |
| Day/Night Switch | Auto, Schedule, Day, Night |
| Image Enhancement | BLC, 3D DNR |
| Interface | |
| Ethernet Interface | 1 RJ45 10 M/100 M self-adaptive Ethernet port |
| Event | |
| Basic Event | Motion detection, video tampering alarm, exception |
| General | |
| Linkage Method | Upload to FTP, notify surveillance center, send email |
| Camera Material | Metal & Plastic |
| Camera Dimension | Ø112 mm × 81.5 mm (Ø4.41" × 3.21") |
| Package Dimension | 150 mm × 150 mm × 141 mm (5.9" × 5.9" × 5.6") |
| Camera Weight | Approx. 320 g (0.7 lb.) |
| With Package Weight | Approx. 556 g (1.2 lb.) |
| Storage Conditions | -30 °C to 60 °C (-22 °F to 140 °F). Humidity: 95% or less (non-condensing) |
| Startup and Operating Conditions | -30 °C to 60 °C (-22 °F to 140 °F). Humidity: 95% or less (non-condensing) |
| Web Client Language | English, Ukrainian |
| General Function | Anti-flicker, heartbeat, mirror, password protection, privacy mask, watermark, IP address filter |
| Firmware Version | V5.5.120 |
| Power Consumption and Current | 12 VDC, 0.4 A, max. 5 W PoE: (802.3af, 36 V to 57 V), 0.2 A to 0.15 A, max. 6.5 W |
| Power Supply | 12 VDC ± 25% PoE: 802.3af, Class 3 |
| Power Interface | Ø5.5 mm coaxial power plug |
| Approval | |
| EMC | FCC SDoC (47 CFR Part 15, Subpart B); CE-EMC (EN 55032: 2015, EN 61000-3-2: 2014, EN 61000-3-3: 2013, EN 50130-4: 2011 +A1: 2014); RCM (AS/NZS CISPR 32: 2015); IC VoC (ICES-003: Issue 6, 2016); KC (KN 32: 2015, KN 35: 2015) |
| Safety | UL (UL 60950-1); CB (IEC 60950-1:2005 + Am 1:2009 + Am 2:2013, IEC 62368-1:2014); CE-LVD (EN 60950-1:2005 + Am 1:2009 + Am 2:2013, IEC 62368-1:2014); BIS (IS 13252(Part 1):2010+A1:2013+A2:2015) |
| Environment | CE-RoHS (2011/65/EU); WEEE (2012/19/EU); Reach (Regulation (EC) No 1907/2006) |
| Protection | IP67 (IEC 60529-2013) |

▪ Available Model

HWI-T240H (2.8/4 mm)

▪ **Dimension**



▪ **Accessory**

▪ **Optional**

| DS-1276ZJ-SUS Corner Mount | DS-1280ZJ-S Junction Box | DS-1275ZJ-SUS Vertical Pole Mount | DS-1272ZJ-110-TRS Wall Mount |
|---|---|---|---|
|  |  |  |  |



Distributed by



HIKVISION®
HiWatch Series

Headquarters

No.555 Qianmo Road, Binjiang District,
Hangzhou 310051, China
T +86-571-8807-5998
overseasbusiness@hikvision.com

Hikvision USA
T +1-909-895-0400
sales.usa@hikvision.com

Hikvision Italy
T +39-0438-6902
info.it@hikvision.com

Hikvision Singapore
T +65-6684-4718
sg@hikvision.com

Hikvision Africa
T +27 (0) 0351172
sale.africa@hikvision.com

Hikvision Europe
T +31-23-55-42-770
info.eu@hikvision.com

Hikvision France
T +33(0)1-85-330-450
info.fr@hikvision.com

Hikvision Oceania
T +61-2-8599-4233
salesau@hikvision.com

Hikvision Hong Kong
T +852-2151-1761

Hikvision Middle East
T +971-4-8816086
salesme@hikvision.com

Hikvision Spain
T +34-91-737-16-55
info.es@hikvision.com

Hikvision Canada
T +1-909-895-0400
sales.usa@hikvision.com

Hikvision Russia
T +7-495-669-67-99
saleru@hikvision.com

Hikvision Poland
T +48-22-460-01-50
poland@hikvision.com

Hikvision Korea
T +82-31-731-8841
sales.korea@hikvision.com

Hikvision India
T +91-22-28469900
sales@pramahikvision.com

Hikvision UK
T +01628-902140
support.uk@hikvision.com

Hikvision Brazil
T +55 11 3318-0050
Latam.support@hikvision.com